

PART NO. 10668S

1998-2002 CAMARO
REPLACEMENT SS GRILLE

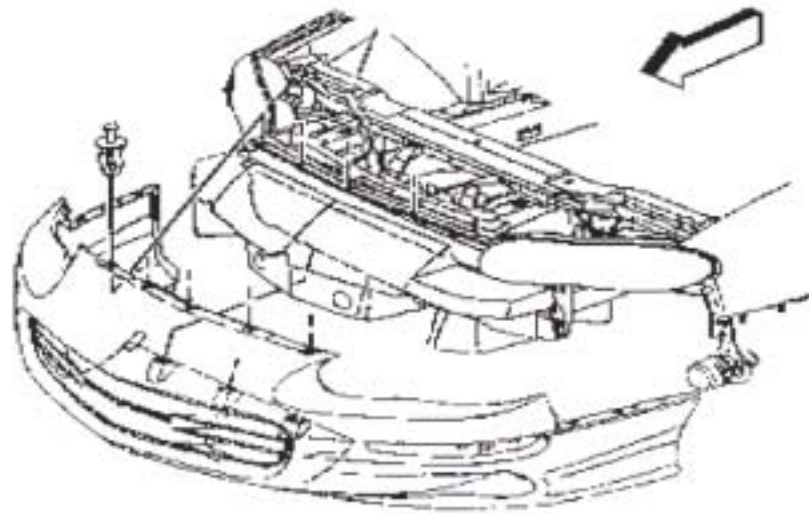
PACKING LIST

<u>Item #</u>	<u>Check</u>	<u>Quantity</u>	<u>Part Number</u>	<u>Description</u>
1	<input type="checkbox"/>	1	10469	SS Grille
2	<input type="checkbox"/>	1	10101	Emblem, Black SS w/Silver Trim
3	<input type="checkbox"/>	8	50249	Plastic Fastener
4	<input type="checkbox"/>	1	*****	Installation Instructions

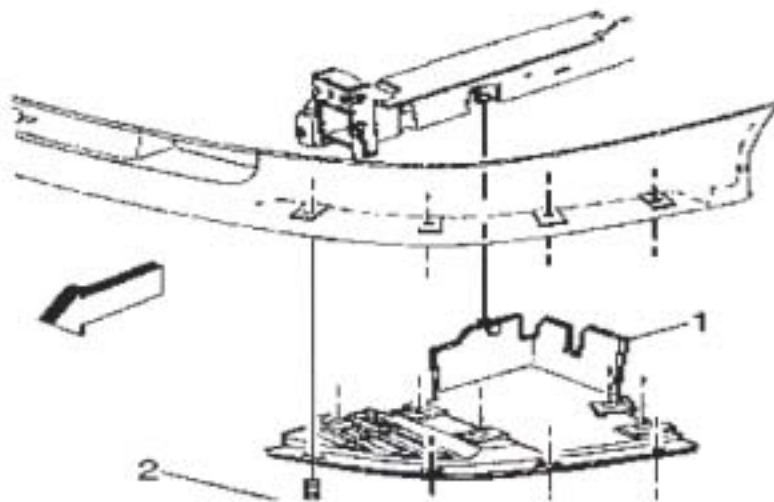
INSTALLATION INSTRUCTIONS

NOTE: SLP Performance parts recommends removal of the vehicle's front fascia assembly for proper removal of the OEM grille. Following 1-1 to 1-4. The OEM grille can, however, be removed by firmly pulling outward along its top edge until the three nuts on its plastic anchor studs disengage. Using the latter method may lead to the inability to re-use the OEM grille. If your state requires the use of a front license plate, refer to the installation instructions for SLP part number 59388, license plate mounting bracket kit.

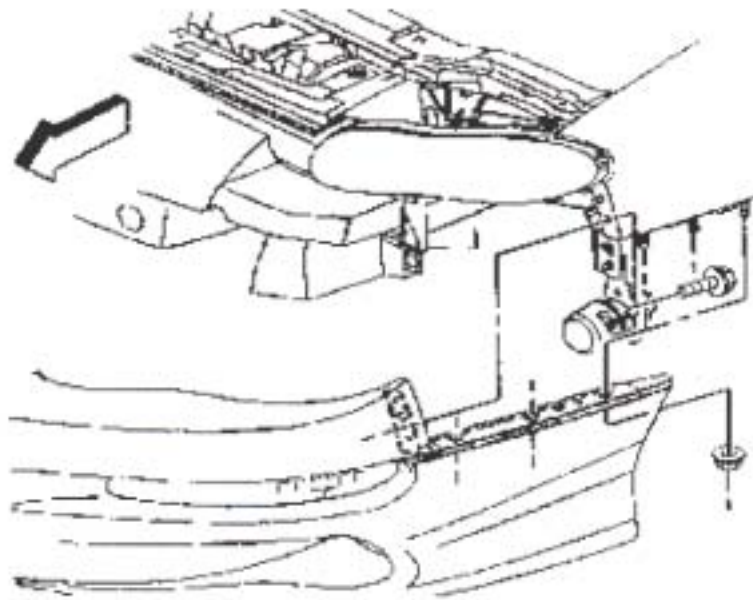
1. Remove the vehicle's front fascia assembly by first removing the five (5) upper fascia retainers along the radiator support (see illustration 1-1). Remove the fascia's outer deflectors (see illustration 1-2). Remove the fascia outer support nuts and bolts (see illustration 1-3). Disconnect all electrical connectors to front lamps. Remove the three (3) lower fascia retainers along the impact bar (see illustration 1-4), and remove the front fascia assembly.



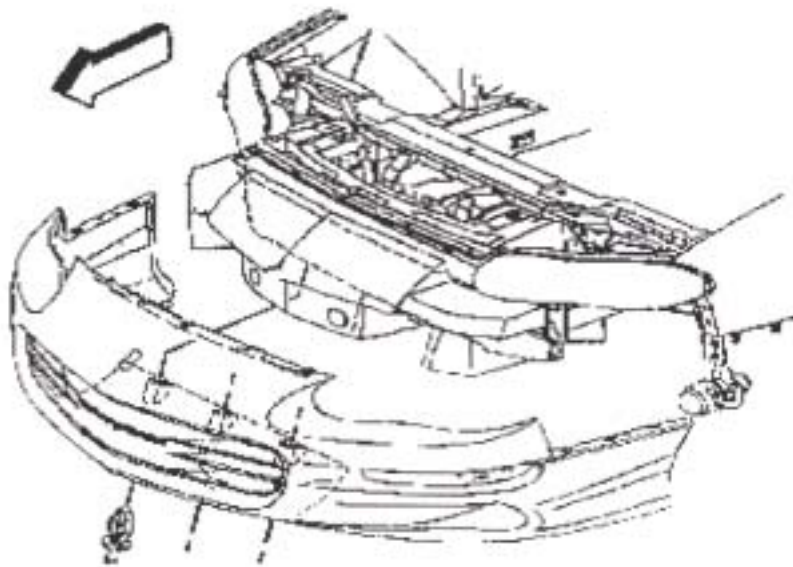
(Illustration 1-1)



(Illustration 1-2)

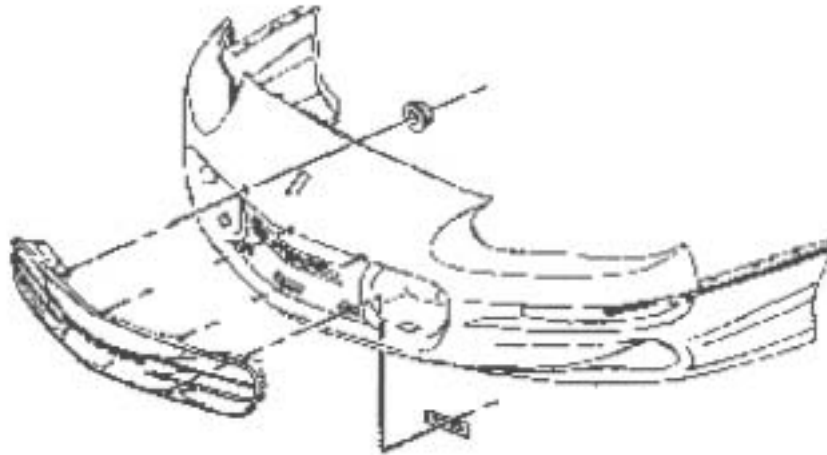


(Illustration 1-3)



(Illustration 1-4)

2. With the fascia assembly on a clean work surface, remove the OEM grille nuts and grille retaining clips (see illustration 1-5).



(Illustration 1-5)

3. Re-install the front fascia back onto the vehicle by following step #1 in reverse order.
4. Install the new SS grille using the 8 plastic retaining fasteners provided.
5. The fascia will need to be drilled for the fasteners.
6. First, hold the grille in the fascia and mark through the 8 holes on the grill, where the fascia needs to be drilled.
7. Drill the fascia where marked with a .25" drill bit.
8. Put the grill back into the fascia and push the plastic fasteners through both the grille and the fascia with your thumb until the head is flush with the grille.
9. The installation is now complete.