



PREMIUM FUEL REQUIRED

2015 - 2016 Yukon Tahoe Suburban Escalade 5.3L and 6.2L

SUV Cold Air Intake Supplement

Applications:

2015 - 2017 GMC Yukon, Yukon XI, Chevrolet Tahoe, Suburban, Cadillac Escalade with 5.3L and 6.2L

PACKAGING LIST

Part Ref	Description	Part Number	Qty
1	Hardware Kit SUV (Suburban Tahoe Yukon Escalade only)	2414-SUVHWK	1
2	Brace - Air Cleaner Bracket (Outer)	2315-9B611	1
3	Brace - Air Cleaner Bracket (Inner)	2315-9B612	1
4	Bolt - M6X1X26	N605891-S437	2

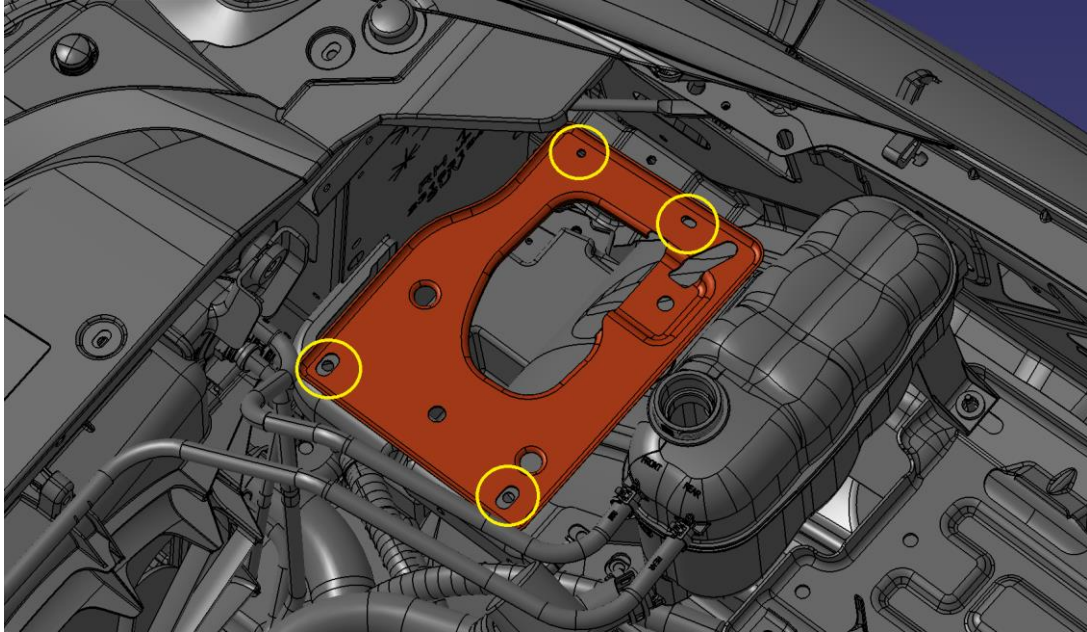
EQUIPMENT AND SUPPLIES REQUIRED

- 1/4" and 3/8" Drive Ratchets with Extensions
- Metric and Standard Socket Sets (short and deep recommended)
- Metric and Standard Wrench Sets
- 3/8" Drive Torque Wrench (7-35 ft-lb range)
- Fender Cover (2)



PREMIUM FUEL REQUIRED

1. Remove the four bolts holding the metal bracket below the air box.



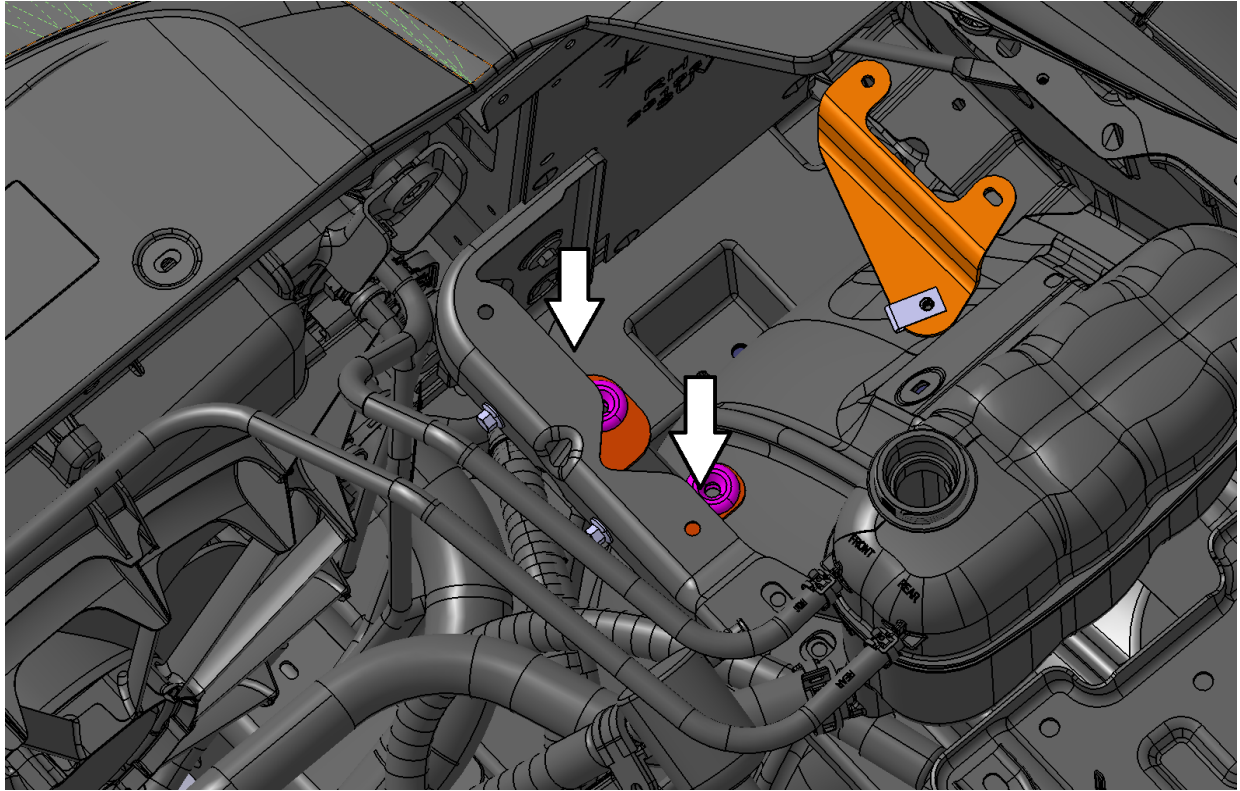
2. Use the existing hardware to mount the Air Cleaner Bracket (Outer) 2315-9B611. Torque to 15 n/m.





PREMIUM FUEL REQUIRED

3. Use a hammer to bend the tab down shown below.



4. Mount the inner air cleaner bracket (2315-9B612) to the bracket shown below. Use 2 M6 bolts (N605891-S437) Torque to 15 n/m.

